

# AUPS SERIES

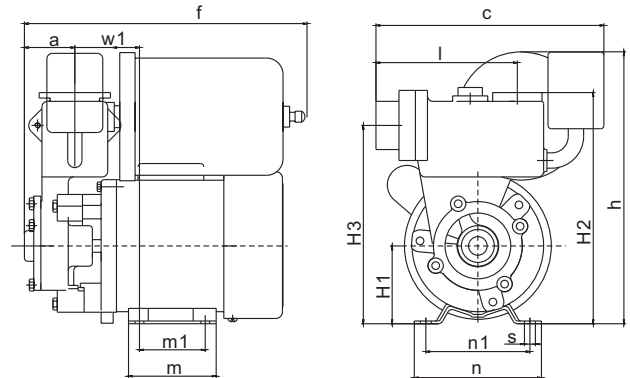
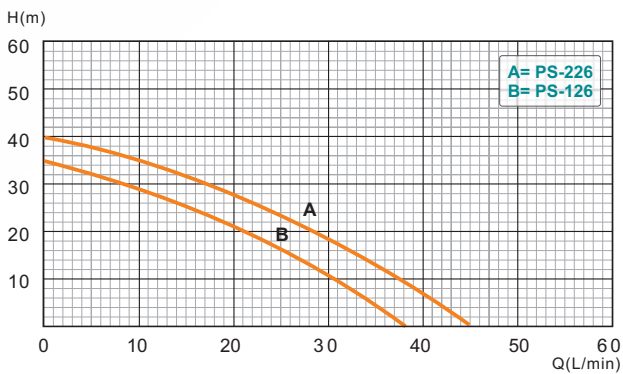
## SELF-PRIMING PERIPHERAL PUMPS

AUPS series automatic self-prime water pumps are suitable for pumping clean water. Consisted of a water pump, a tank and a pressure switch, this series is relatively simple construction, no expensive but reliable and safety. It is suitable to grant the correct pressure to modern domestic and industrial water systems.



### PERFORMANCE AND WORKING LIMITS

Protection: IP 44
Insulation class F
Max. Pressure 10bar
Max. Suction lift up to 8m
Fluid temperature up to +80°C
Max. ambient temperature up to +40°C



### OVERALL AND MOUNTING DIMENSION

TYPE	DIMENSIONS (mm)												
	a	f	h	c	H1	H2	H3	m1	m	n1	l	w1	s
AUPS-126	46	258	249	208	71	211	181	60	80	95	129	59	10
AUPS-226	46	258	249	208	71	211	181	60	80	95	129	59	10

### TECHNICAL DATA

Type	Power		Current (A)	R.P.M	Q.Max (l/min)	H.Max (m)	S.Head (M)	Pipe Dia	L×W×H (mm)	N.W (Kg)
	HP	kW								
AUPS-126	0.5	0.37	1.6	2850	38	35	8	1"X1"	275X220X270	7.5
AUPS-226	0.75	0.55	2.4	2850	45	40	8	1"X1"	275X220X271	8.5